

# BUILDING IN DETAILS

## Gaps around fire doors

### DESCRIPTION

Fire doors must be installed to AS1905.1 or as tested or assessed, which includes the allowable gaps around the stiles, head and base of the door. The maximum allowable gaps and acceptable rectification methods are described below:

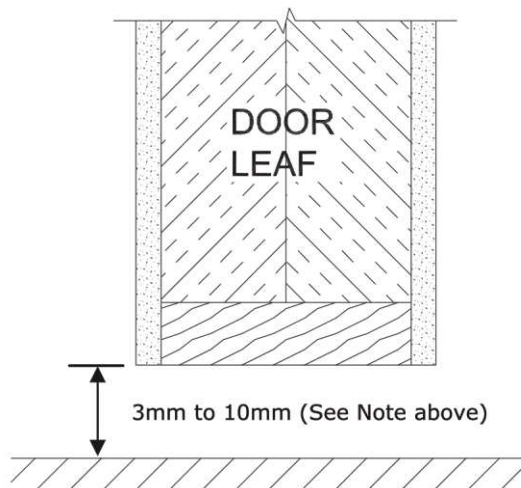
### ACCEPTABLE CLEARANCES

#### Stiles and head:

- In the closed position, average gaps between the door and frame jamb (head, hinge and lock stiles) are not to exceed 3mm\*.
- Door leaf to door stop not to exceed 3mm average, and maximum shall not be more than 5mm, excluding Pyropanel Euroseal frame applications which require 4mm gaps.

#### Bottom:

- Maximum allowable gap between leaf and top of finished floor level is 10mm (3-10mm is recommended). (Note: less than 15mm gap is approved on some doors. Contact licensed distributor to confirm.)



### RECTIFICATION OF EXCESSIVE GAPS

#### Stiles and head:

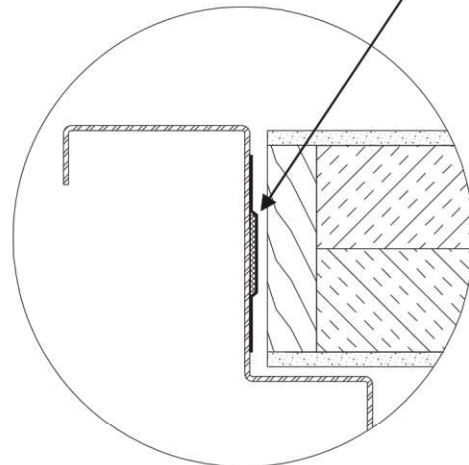
Gaps between door leaf and frame can be reduced by using the following method:

- Lorient LDPU stick-on perimeter seals attached to door frame for gaps of up to 6.5mm.

#### Stick on perimeter seals - installation:

- Can be used where there are excessive stile or head gaps.
- Can be used on each stile of door leaf
- Integrated self adhesive tape is used to apply seal to door rebate.

Lorient LDPU (1.6mm thick x 38mm wide)



### Models

Seal	Product Code	Door Thickness	Std Colour	Length (mm)
LDPU	LDPU/1000/W	35 - 48	White	1000
	LDPU/2100/W	35 - 48	White	2100
	LDPU/2700/W	35 - 48	White	2750

### Notes:

Stick on perimeter seals may be painted over.

\* 3 measurements per vertical edge, 2 measurements per horizontal edge. Measurements at least 750mm apart.

# BUILDING IN DETAILS

## Gaps around fire doors

### RECTIFICATION OF EXCESSIVE GAPS

#### Bottom:

Gaps of up to 20mm at the bottom of the door can be reduced by using the following method, which is approved up to 2 hrs:

- Adding the Lorient LDBU Door Bottom upgrade seals
- **Non combustible threshold seals** can be used to reduce the gap under a fire door:
  - Lorient threshold seals: LAS4001, LAS4002, LAS4010, LAS4011, LAS4012, LAS4013, AAS4551, AAS4552.



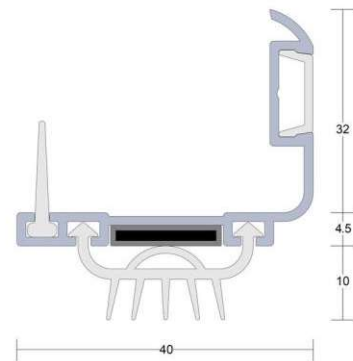
Lorient LDBU Door Bottom Upgrade Intumescent seal installed on a fire door.

#### Installation of bottom intumescent fire and hot smoke seals:

The bottom intumescent seals should just clear the floor during door opening and closing. To avoid the seal fouling on uneven or sloping surfaces the finned gasket portion should engage an approved threshold plate.

- **Location:** Bottom of Fire and smoke doors
- **Min/Max Gap:** 14mm to 20mm (without threshold plate) - 20mm (on exposed side) ; 9.3mm (on unexposed side)
- **Seal Sizes:** Sizes up to 1220mm
- **Fixing method:** Cut seal to length & attach with screws
- **Seal Material:** Intumescent infill, elastomeric cover strip and finned gasket
- **Used in conjunction with** approved threshold plates.

**Lorient LDBU**



#### Models

Seal	Product Code	Door Thickness	Std Colour	Length (mm)
LDBU	LDBU/0820/S	35 - 48	Silver	820
	LDBU/0920/S	35 - 48	Silver	920
	LDBU/1070/S	35 - 48	Silver	1070
	LDBU/1220/S	35 - 48	Silver	1220