



# SLIDING TRACK AND FITTINGS ZERO

## SPECIFICATION BREAKDOWN

- Brio hardware
- Track length: 2m, 3m, 4m, 6m
- Zero Hardware gives 5-3mm clearance between track and door for true floor-to-ceiling look
- 80kg, 120kg & 300kg Hardware options—80kg Shown

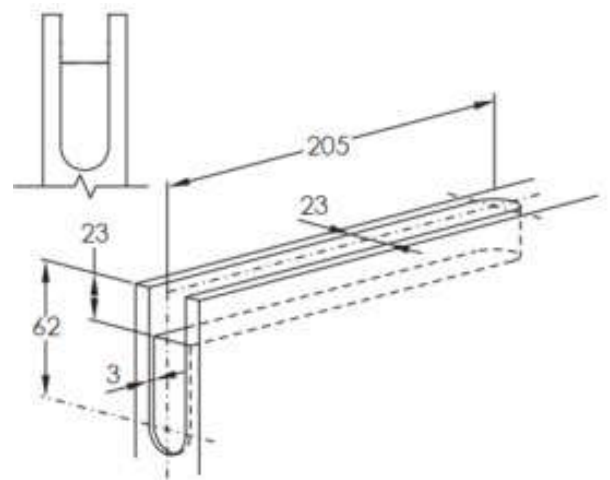
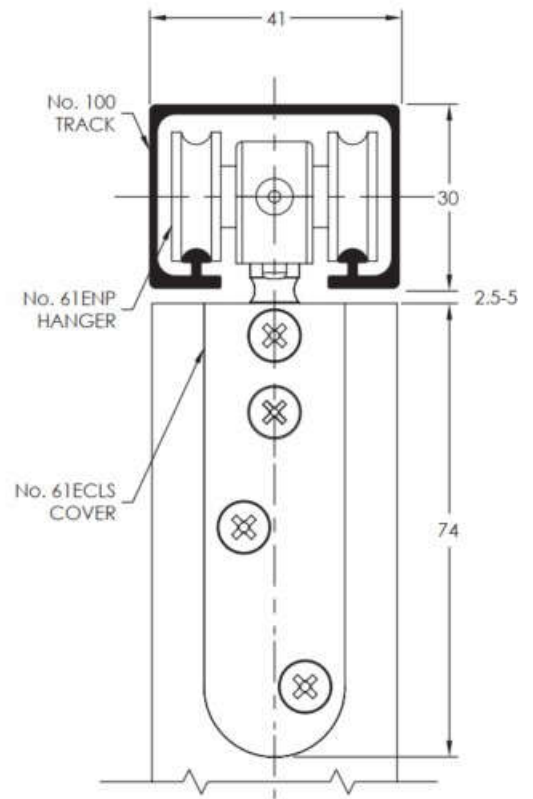
## OPTIONAL EXTRA'S

- Soft Close
- Soft Open

## HOW TO SPECIFY

"Nexdor Systems—Track & Fittings, [Standard or Zero Hardware], [track length].

With [extras required]."

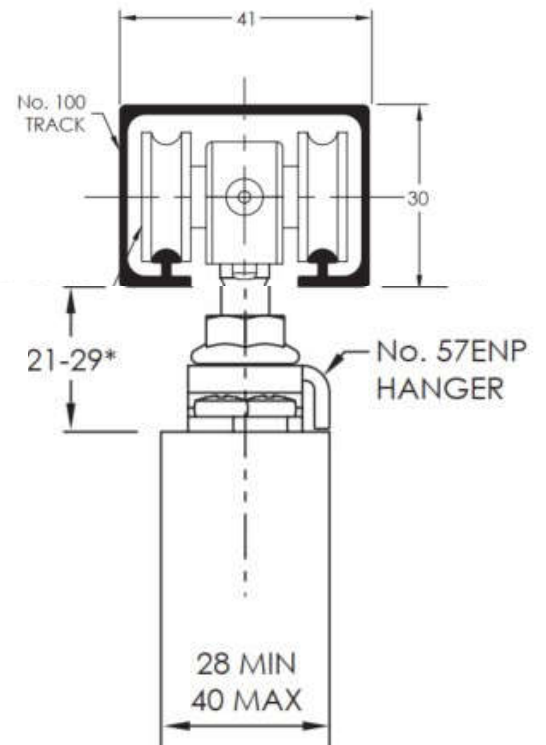




# SLIDING TRACK AND FITTINGS STANDARD

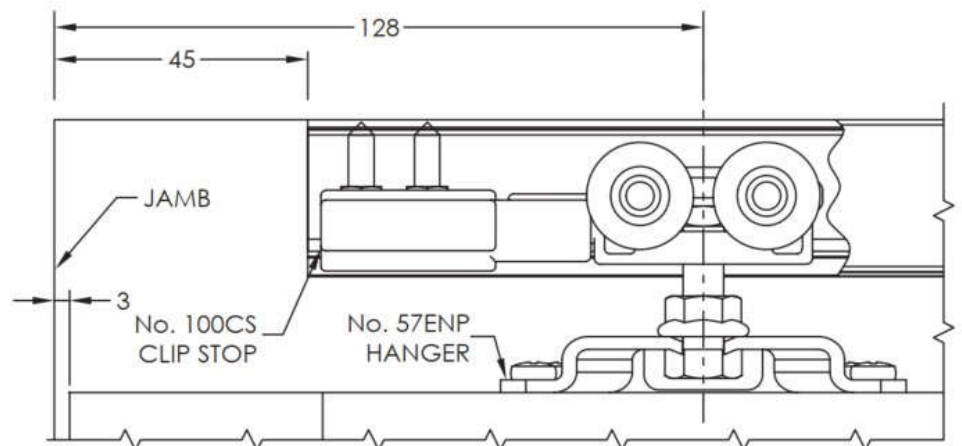
## SPECIFICATION BREAKDOWN

- Brio hardware
- Track length: 2m, 3m, 4m, 6m
- Standard Hardware gives 19-25mm clearance between track and door
- 80kg, 120kg & 300kg Hardware options—80kg Shown



## OPTIONAL EXTRA'S

- Soft Close
- Soft Open



## HOW TO SPECIFY

"Nexdor Systems—Track & Fittings, [Standard or Zero Hardware], [track length].

With [extras required]."