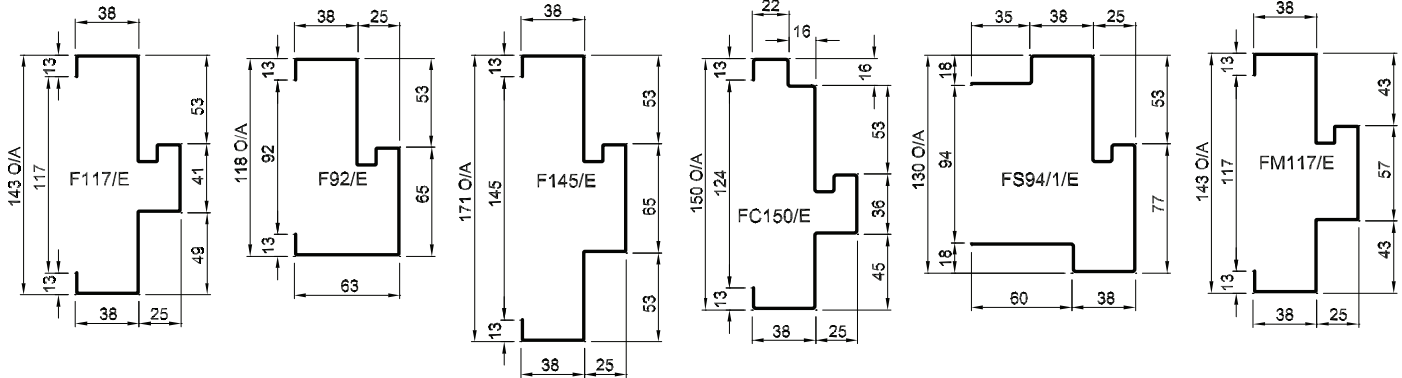


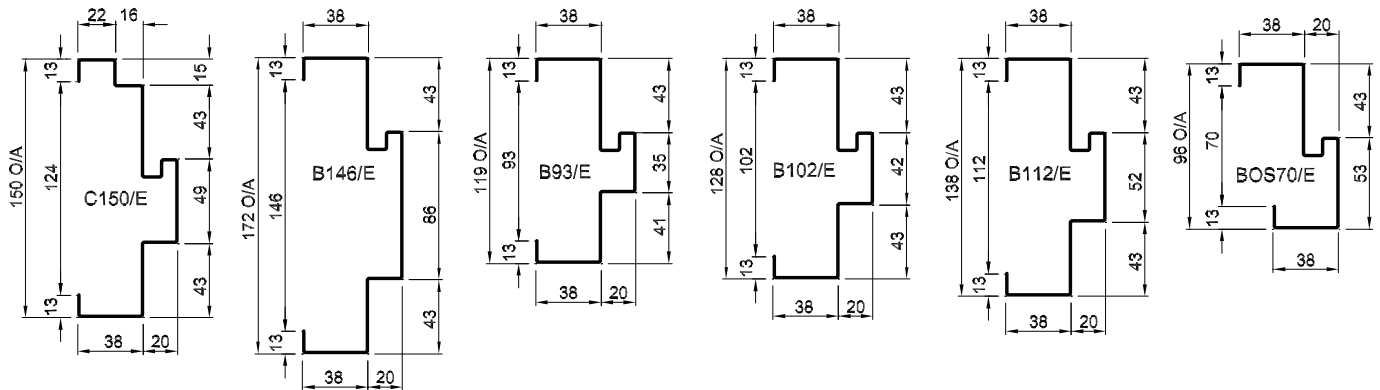
FRAME PROFILES

Euroseal® Fire Rated Frames

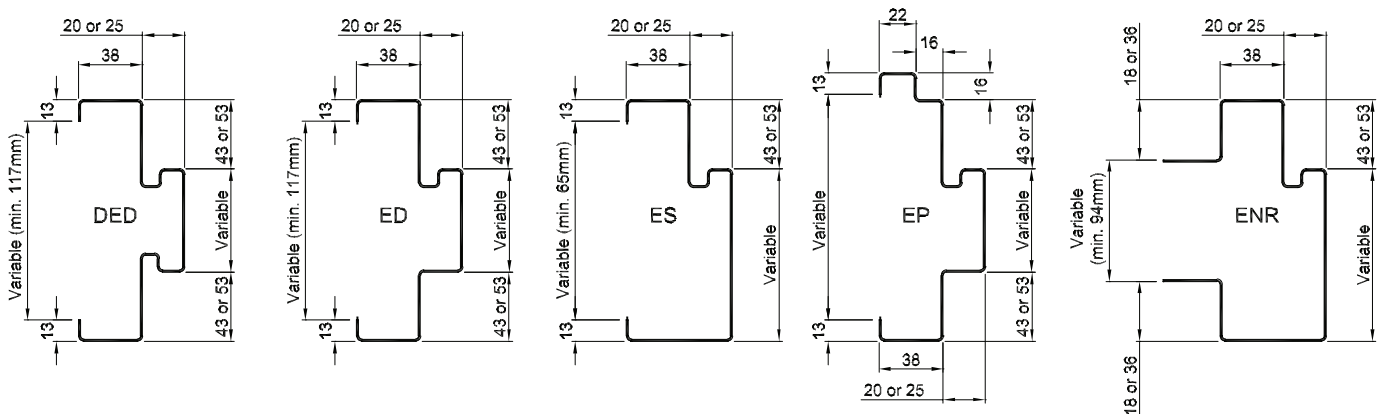
Fire Rated Euroseal frame profiles



Non-Fire Rated Euroseal frame profiles



Special Euroseal frame profiles



Note: When installed with appropriate door leaf, frames are fire rated up to 4 hours in masonry walls, and 2 hours in dry wall. Custom frame profiles available on request. Frames are typically 1.2-1.6 zincaneal unless otherwise requested.

HOW TO SPECIFY

"Door frame to be a Pyropanel F117/E* Euroseal Prime painted pressed metal door frame. Builder to confirm door frame applicability".

* denotes example - delete, change or specify as required

Pyropanel Developments Pty Ltd
 235 Huntingdale Rd, Oakleigh, Vic 3166
 Ph: (03) 9837 8500 Fax: (03) 9837 8550
 Email: sales@pyropanel.com.au
 Web: www.pyropanel.com.au

Distributed by:
Nexdor Systems
 Ph: (03) 5450 3457
 Email: estimating@nexdorsystems.com.au
 Web: www.nexdorsystems.com.au

