

40 Rw, Single leaf, Acoustic Doorset (not fire rated)

DESCRIPTION

Pyropanel AS-40-PAC is a single leaf, 40 Rw acoustic doorset.

APPLICATIONS

Ideal for applications that require an acoustic rating of 40 Rw.

FEATURES

Acoustic Rating

- 40 Rw.

Door Weight

- Approx 41 kg/m²

Smoke Resistance

- Doorset is fitted with smoke seals.

Door Configuration

- Single leaf.

Thickness

- 55-60mm nom. (depending on facing thickness)

Size

- Maximum Size - 2340 x 1020mm.

Hinges

- Minimum 4 steel hinges.

Frame

- Pyropanel Euroseal filled steel frame (1.6mm), or Pyropanel Euroseal KDHW timber frame.

Finish

- MDF or Hardboard to both faces.

Seals

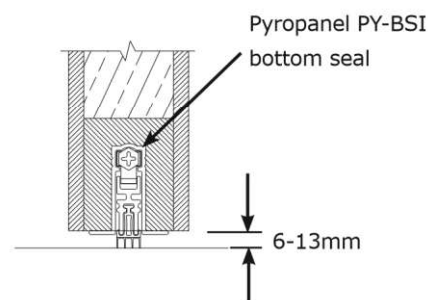
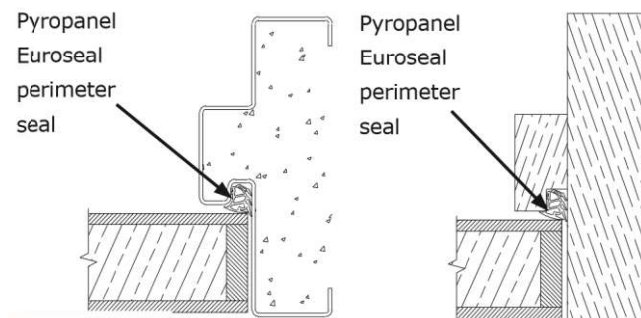
Door Type	Perimeter	Bottom	Rw
AS-40-PAC	Pyropanel Euroseal	Pyropanel PY-BSI	40

OPTIONAL EXTRAS

- Pre-hung in steel or timber frame.
- Decorative veneers.
- Pyropanel 13mm thick Vision panels - 300 x 200 or 600 x 100mm nom. Glass rated to 38 Rw. Note - The inclusion of a vision panel will cause a slight reduction in acoustic rating.

INSTALLATION

Door frame, Perimeter seal, Drop seal & Door leaf should be sourced from a Pyropanel Authorised Licensee as a complete set. Door frame must be tightly sealed against wall structure using Pyropanel Pyropanel acoustic sealant. Steel frames require filling with Pyropanel FR board or Pyropanel light weight M4 Mortar to achieve the acoustic rating.



HOW TO SPECIFY

"Doorset to be a Pyropanel AS-40-PAC acoustic door installed into a steel/timber* Euroseal frame".

* denotes example - delete, change or specify as required

ASSA ABLOY Australia Pty Ltd

235 Huntingdale Road Oakleigh Vic 3166

Ph: (03) 9837 8500

Email: sales@pyropanel.com.au

Web: www.pyropanel.com.au

ASSA ABLOY Australia P/L has a policy of continuous improvement and reserves the right to change methods and specifications without notice. Note: The Tech Sheet is an uncontrolled document. If printed please refer to the Tech-Sheet on the website to check if this document is valid.

Distributed by:

