

# BUILDING-IN DETAILS

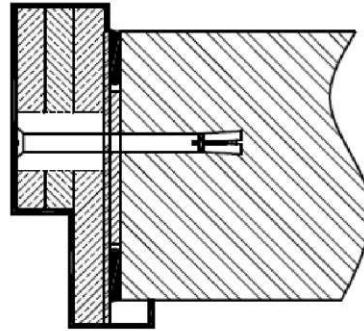
## Masonry, brick, aerated brick walls

### DESCRIPTION

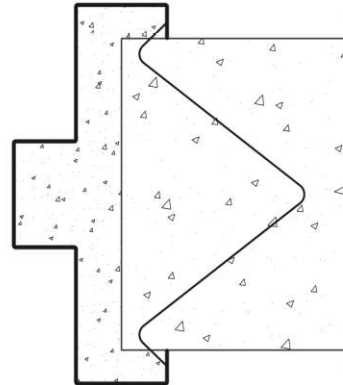
Building in details showing the approved fixing methods for masonry walls, including concrete, brick, aerated lightweight brick (Hebel®) masonry walls for up to 2 hours of fire rating.

### REQUIREMENTS

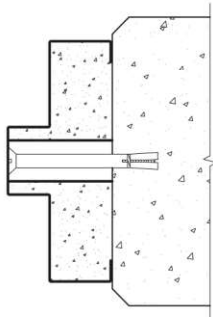
- The following materials are approved for filling steel frames Pyropanel fire doors: Fire rated plasterboard, plaster or Pyropanel FR Board or Pyropanel M4 lightweight mortar/mortar for up to 2 hour applications.
- Filling frames with above materials is required to meet the frame Insulation requirements of 30 minutes to the current standard (AS 1530.4: 2014).
- Back-filling with Pyropanel lightweight M4 Mortar/mortar is required for Insulation requirements of 60 minutes.
- Ensure all gaps between frame and walls are tightly filled with Pyropanel fire rated acoustic sealant.
- Fixings (M10 masonry steel anchors) to be at max. 400mm centres (starting 250mm from the sill)
- Note: Some special installations (e.g timber architraves/other cladding over steel frame) require a specific frame filling material. Please check prior to installation



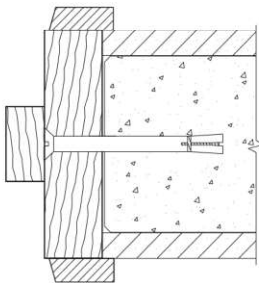
Slide in Steel frame with Dynabolt fixings at typically 400m centres (up to 2 hours)



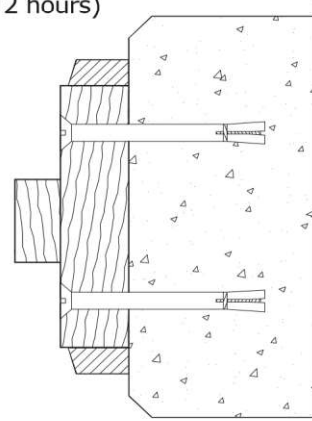
Wire ties for block wall or cast into concrete panel wall (up to 2 hours)



Steel frame with Dynabolt fixings at typically 400mm centres (up to 2 hours)



1hr Timber frame - single row of concealed dynabolts at typically 400mm centres (optional plaster wall lining shown)



Optional fixings for 1hr timber frame with two rows of dynabolts at typically 400mm centres. Also approved for fixing steel frames.

**ASSA ABLOY Australia Pty Ltd**  
 235 Huntingdale Rd, Oakleigh, Vic 3166  
 Ph: (03) 9837 8500  
 Email: [sales@pyropanel.com.au](mailto:sales@pyropanel.com.au)  
 Web: [www.pyropanel.com.au](http://www.pyropanel.com.au)

Distributed by:

