

# BUILDING-IN DETAILS

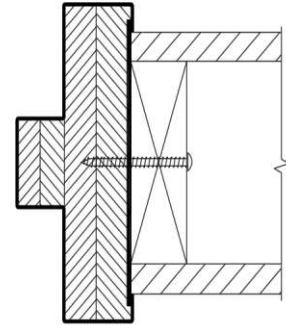
## Fire Rated Plasterboard walls

### DESCRIPTION

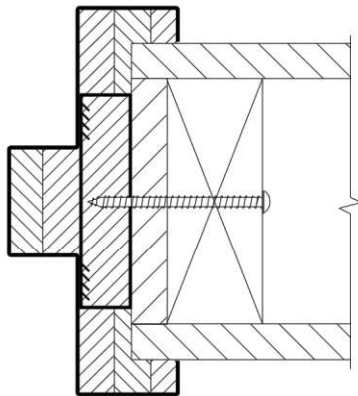
Building-in details showing the approved fixing methods for standard fire rated plasterboard stud walls (timber or steel studs) up to 2 hours of fire rating.

### REQUIREMENTS

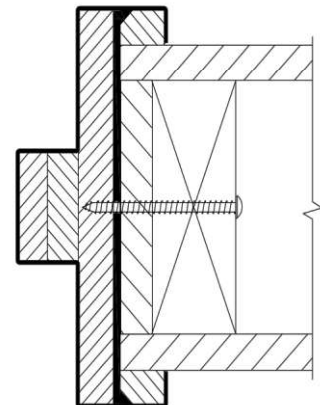
- Back-filling with fire rated plasterboard, plaster, Pyropanel M4 lightweight mortar or mortar is required to meet the frame Insulation requirements of 30 minutes to the current standards (AS 1530.4: 2014). Back-filling with Pyropanel lightweight M4 Mortar or standard mortar is required for Insulation requirements of 60 minutes.
- Ensure all gaps are tightly filled with Pyropanel fire rated acoustic sealant.
- Fixings to be at max 500mm centres (10 gauge steel screws).
- Note: Some special installations (e.g timber architraves/other cladding over steel frame) require a specific frame filling material. Please check prior to installation.



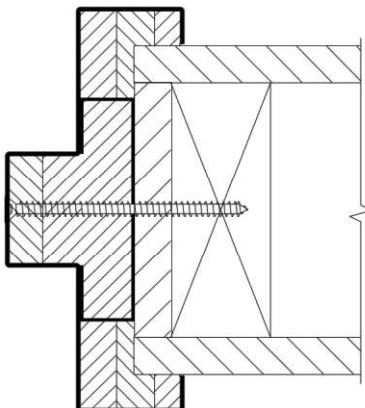
Steel strap



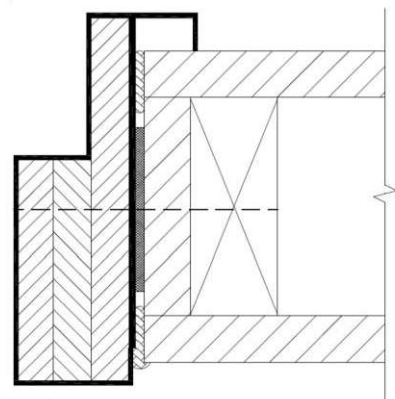
MS tube or saddle bracket



Steel strap



Countersunk screw



Steel strap

**ASSA ABLOY Australia Pty Ltd**

235 Huntingdale Rd, Oakleigh, Vic 3166

Ph: **(03) 9837 8500**

Email: [sales@pyropanel.com.au](mailto:sales@pyropanel.com.au)

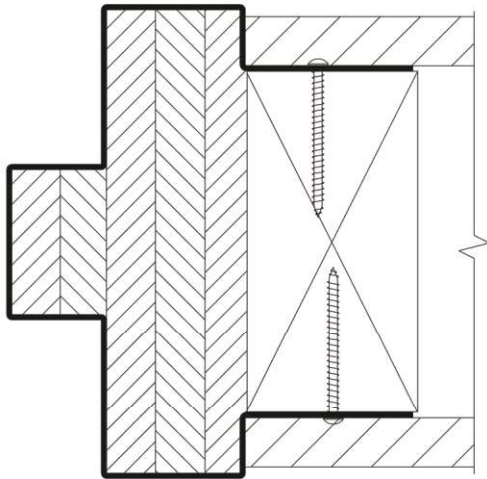
Web: [www.pyropanel.com.au](http://www.pyropanel.com.au)

Distributed by:

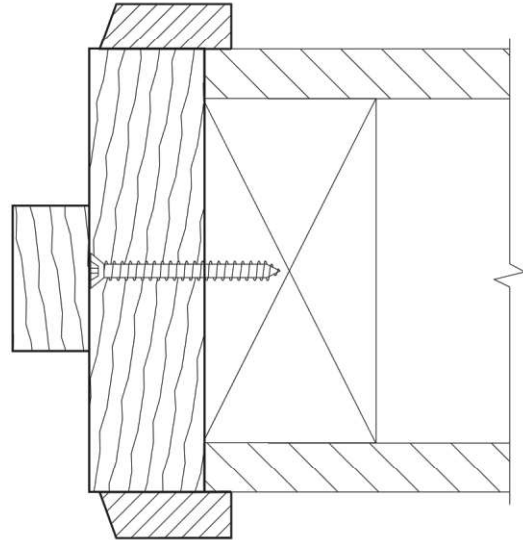


# BUILDING-IN DETAILS

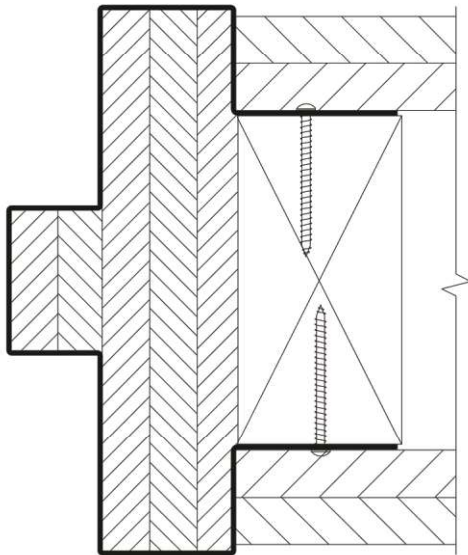
## Fire Rated Plasterboard walls



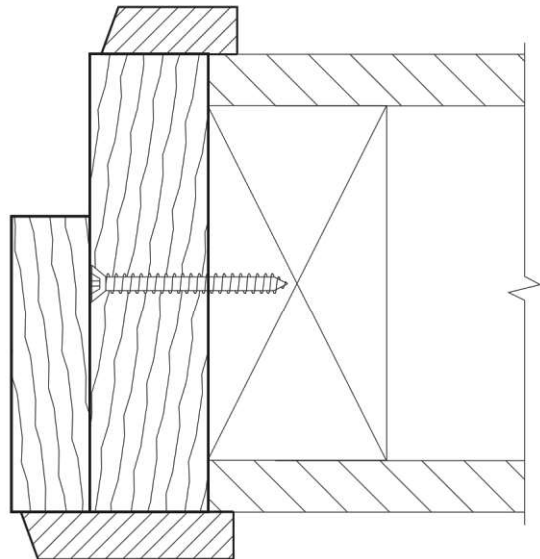
Steel frame - single layer of plasterboard



Timber frame - Single layer of plasterboard



Steel frame - double layer of plasterboard



Timber frame - Single Rebate with single layer of plasterboard

Note: The architrave is a mandatory component to protect hinge screws and striker plate.