

# 1 hr fire rated, 30Rw, Single leaf, Acoustic/Smoke/Fire doorset

## DESCRIPTION

Pyropanel AS-30-PAN is a 30 Rw, 1 hour fire rated 48mm nominal single leaf acoustic doorset that utilises an approved concealed or exposed frame-mounted perimeter seal and an approved bottom seal.

## APPLICATIONS

Ideal for unit entry applications or anywhere that requires 60 minutes of fire resistance and an acoustic rating of 30 Rw.

## FEATURES

### Acoustic Rating

- 30 Rw

### Fire Resistance

- FRL -/60/30

### Smoke Resistance

- Meet the NCC requirement for a smoke door.

### Door Configuration

- Single leaf hung in a steel or timber frame.

### Thickness

- 48mm (nominal).

### Door Weight

- Approx 21 kg/m<sup>2</sup>

### Size

- Maximum Size - 2420 x 1020 or 2200 x 1120 (-/60/30)

### Hinges

- Minimum 3 steel hinges.

### Frame

- Pyropanel KDHW timber or filled steel frame.

### Finish

- MDF as standard.

### Perimeter Seals

- See seal combinations listed on page 2.

### Bottom Seals

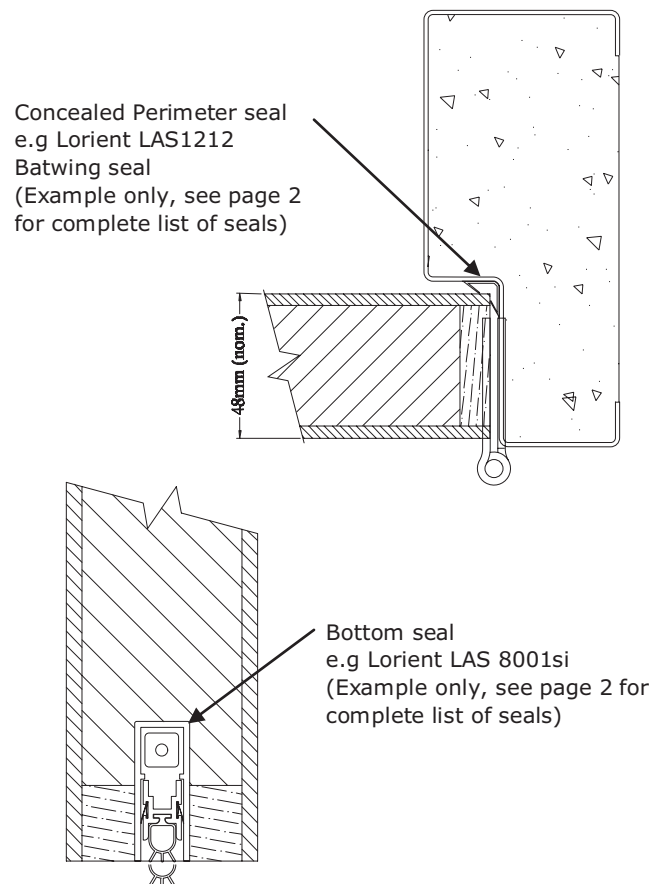
- See seal combinations listed on page 2.

## OPTIONAL EXTRAS

- Pre-hung in steel or timber frame.
- Ply, Veneer, Steel or Laminate facings.
- Vision panels - 300 x 200mm or 600 x 100mm nom.
- Kick Panels of 1mm Stainless Steel to selected height.

## INSTALLATION

Door frame must be tightly sealed against wall structure using Pyropanel Pyroseal fire and acoustic sealant. Steel door frames require filling with fire rated plasterboard, Pyropanel light weight M4 mortar, concrete or mortar to achieve the desired acoustic rating.



## HOW TO SPECIFY

"Door to be a Pyropanel AS-30-PAN acoustic door with -/60/30\* FRL, installed into a Pyropanel Fire rated timber / filled steel\* door frame, with Lorient LAS1212\* and Lorient LAS8001si\* seals".

\* denotes example - delete, change or specify as required

## ASSA ABLOY Australia Pty Ltd

235 Huntingdale Rd, Oakleigh, Vic 3166

Ph: (03) 9837 8500

Email: [sales@pyropanel.com.au](mailto:sales@pyropanel.com.au)

Web: [www.pyropanel.com.au](http://www.pyropanel.com.au)

ASSA ABLOY Australia P/L has a policy of continuous improvement and reserves the right to change methods and specifications without notice.  
Note: The Tech Sheet is an uncontrolled document. If printed please refer to the Tech-Sheet on the website to check if this document is valid.

## Distributed by:

# 1 hr fire rated, 30Rw, Single leaf, Acoustic/Smoke/Fire doorset

## SEAL COMBINATIONS

Door Type	Perimeter Seals	Bottom Seals
AS-30-PAN	Lorient LAS1212 or LAS1812 (Concealed seals)	Lorient LAS8001si
		Lorient LAS8002si
		Lorient LAS8003si
		Lorient LAS8005si
		Lorient LAS8006si
		Lorient LAS8007si
		Lorient LAS8008si
		Lorient LAS8009si
		Lorient LAS7001si or LAS7002si or LAS7003si or LAS7005si or AAS7501si or AAS7503si (Exposed frame-mounted seals)
	Lorient LAS8002si	
	Lorient LAS8003si	
	Lorient LAS8004si	
	Lorient LAS8005si	
	Lorient LAS8006si	
	Lorient LAS8007si	
	Lorient LAS8008si	
	Lorient LAS8009si	