

FRAME PROFILES

1 hr Timber Fire Rated Frames

DESCRIPTION

1 hr Timber Fire Door Frames suitable for use with all Pyropanel Fire Door leaves for applications requiring up to 1 hour of Fire Resistance. Frames come with a pre installed paintable intumescent hot smoke seal.

APPLICATIONS

Ideal for most applications that require a one hour certified fire door set with a one hour timber fire rated door frame, especially in residential complexes as unit entry doors, hospitals, schools, public buildings, etc and applications that may experience high levels of airborne salt water.

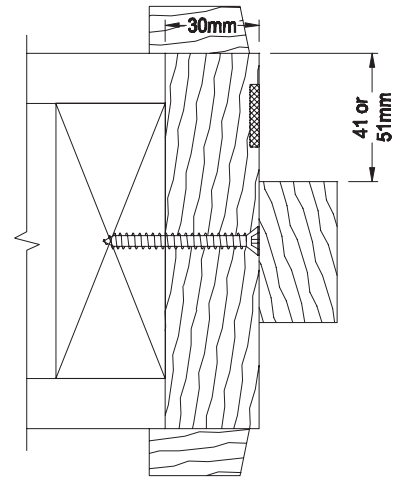
FEATURES

- Suitable for Pyropanel fire doors up to -/60/30 FRL
- Jamb dimensions - Standard 140mm x 30mm, Min 85 x 30mm(larger dimensions available on request).
- Integrated intumescent hot smoke seal.
- Removable door stop covers predrilled frame fixing holes.
- Optional Euroseal® rebated door stop.
- Manufactured from high quality hardwood.
- No patching of fixing holes - save time and mess on site.
- Can be supplied with optional pre-hung fire door.
- Hardwood architraves required.
- Maximum door size for 38mm nom. doors: 2340 x 1020mm in single leaf configuration & Maximum door size for 48mm nom. doors: 2700 x 1020mm in single leaf or pair leaf configurations.

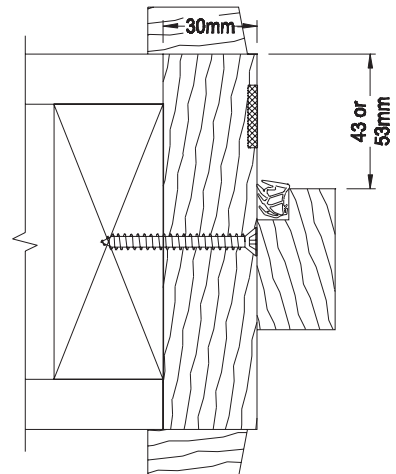
HOW TO SPECIFY

"Door frame to be a Pyropanel 1 hr Timber Fire Rated Door Frame, fully certified and approved for use with Pyropanel Fire Rated doors up to 1 hr FRL, with integrated hot smoke seal and optional Euroseal rebate* ".

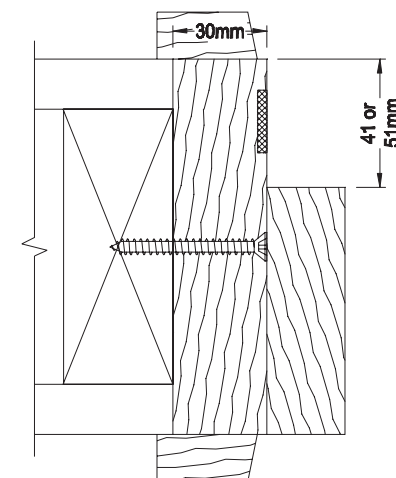
* denotes example - delete, change or specify as required



Typical frame profile - note hidden frame fixings



Euroseal frame profile - note hidden frame fixings



Alternative frame profile (Single rebate)

Pyropanel Developments Pty Ltd
 235 Huntingdale Rd, Oakleigh, Vic 3166
 Ph: **(03) 9837 8500** Fax: (03) 9837 8550
 Email: sales@pyropanel.com.au
 Web: www.pyropanel.com.au

Distributed by:
Nexdor Systems
 Ph: **(03) 5450 3457**
 Email: estimating@nexdorsystems.com.au
 Web: www.nexdorsystems.com.au

