

Pyropanel Intumescent Fire Seals

DESCRIPTION

Pyropanel intumescent fire seals are fire and smoke seals that are activated under fire conditions to restrict the passage of hot smoke and fire. The intumescent material softens and expands at high temperatures to seal the gap between the door edge and door frame to restrict the passage of hot smoke and help maintain the fire resistance level of the door.

APPLICATIONS

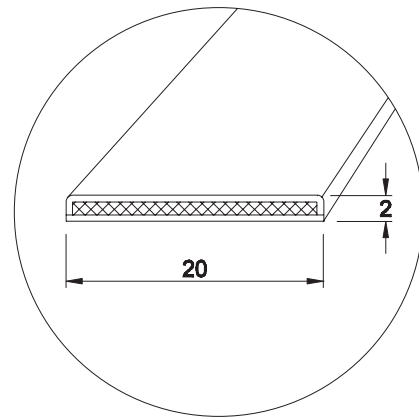
Pyropanel intumescent fire seals can be rebated into the head and edges of either the door leaf or timber frame.

FEATURES

- Creates a hot smoke seal to resist both fire and smoke under fire conditions.
- Available in 20 X 2mm and 10 X 2mm.
- Can be used in conjunction with the Pyropanel *Life Safety door* range to upgrade the smoke resistance to Hot smoke.
- Can be rebated into either the door edge and head or into a fire rated timber door frame.
- Available in Red (plastic coated) & Grey (uncoated), see table "Models Available".
- Integrated PVC cover can be painted (INTULFSK).

INSTALLATION

- Rebate 20mm x 2mm groove into timber door frame or edge of door leaf.
- For twin intumescent strip option - rebate 10mm x 2mm grooves into timber door frame or edge of door leaf.
- Apply seal to rebate using integrated self-adhesive backing strip.
- Paint as required.



Cross-section of 20x2mm INTULFSK (PFS2003)

SUITABILITY

All Pyropanel fire doors up to -/120/30

MODELS AVAILABLE

Model	Colour	Overall size
INTULFSK (PFS2003)	Red (Plastic coated)	20mm x 2mm
INTULXSK-20X2	Grey (Uncoated)	20mm x 2mm
INTULXSK-10X2	Grey (Uncoated)	10mm x 2mm

HOW TO SPECIFY

"Install Pyropanel INTULFSK* self-adhesive intumescent fire seal to the head and sides of door frame / head and edges of door leaf*" ... etc,"

* Delete as required

